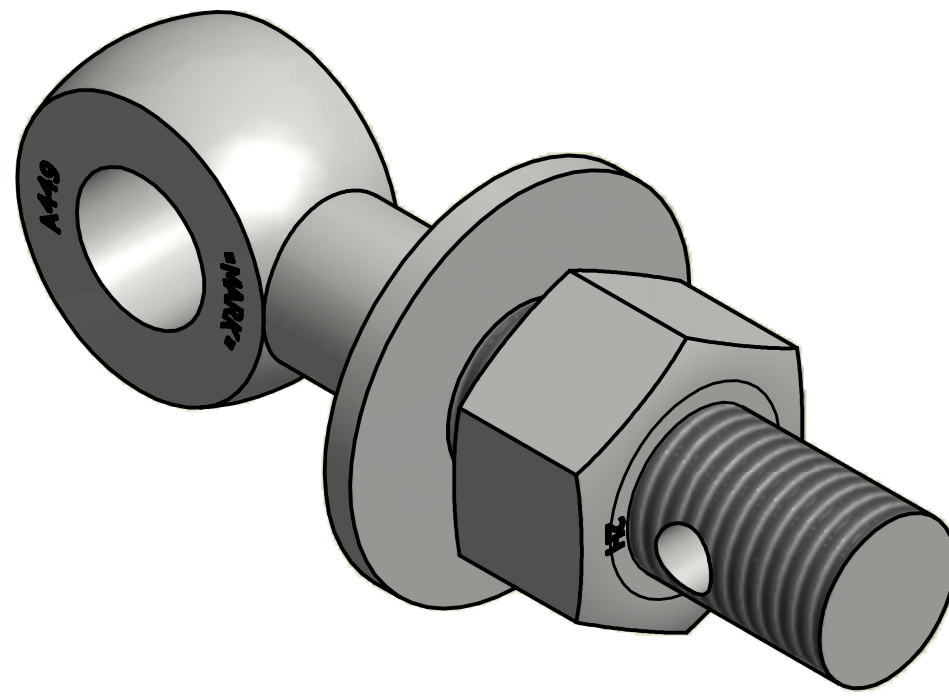
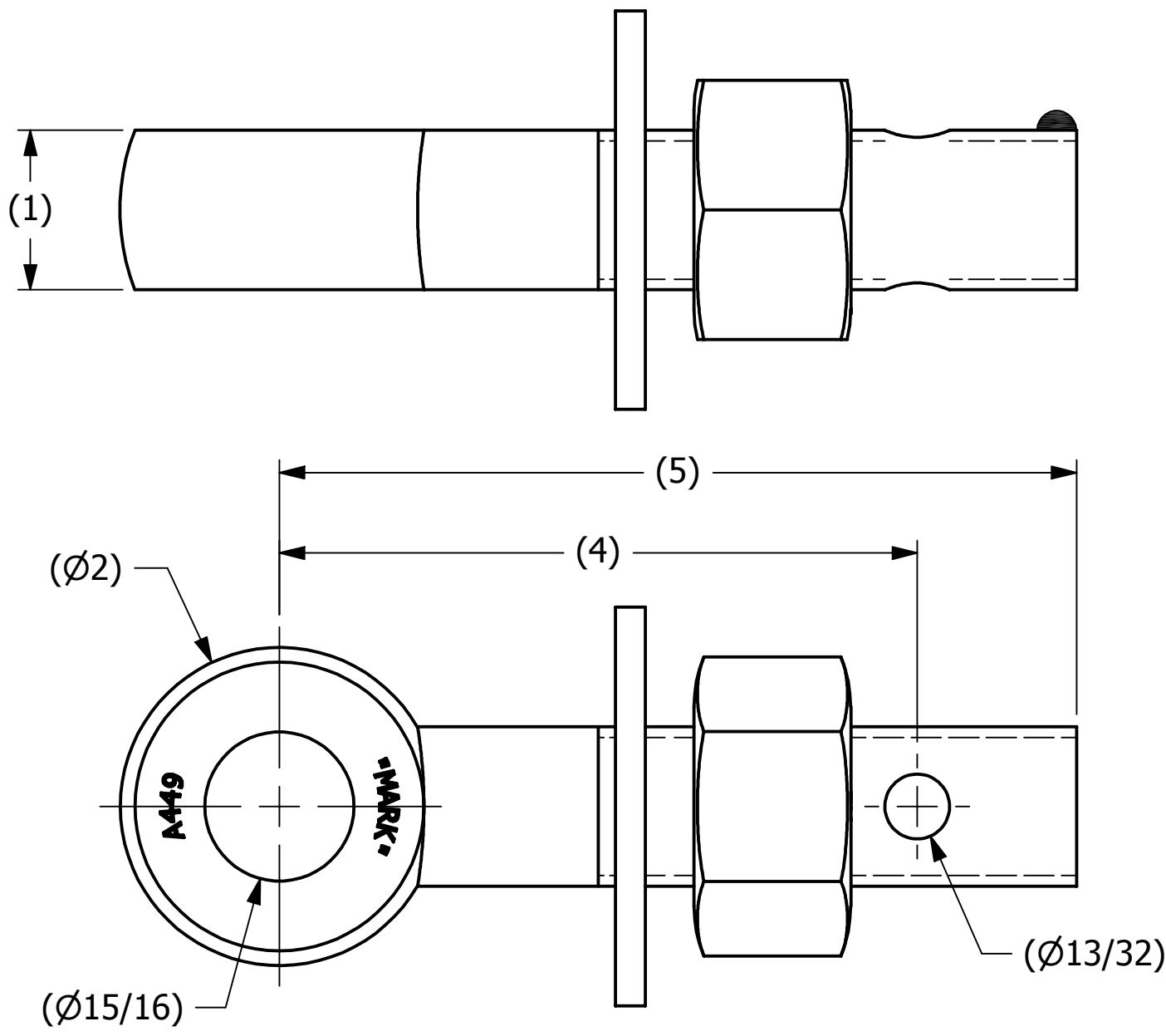


SALES DRAWING

SALES DRAWING



REV	BY	DATE	DESCRIPTION
C	RJP	11-5-15	UPDATED MARKING
B	REH	12-3-10	REPLACED WASH1G5 W/ WASH1P
A	BRG	10-20-08	NEW PART ADDED TO THE NETWORK

<small>UNLESS OTHERWISE SPECIFIED DIMENSIONAL TOLERANCES</small> FRACTIONAL: ±1/16 X.XX: ±.03 X.XXX: ±.015 ANGULAR: ±1° <small>DEBURR ALL SHARP EDGES. ALL MACHINED SURFACES TO HAVE A 125 RMS FINISH UNLESS NOTED OTHERWISE.</small> <small>THIRD ANGLE PROJECTION</small>	DRAWN BY:	CHL
	CHECKED BY:	PJG
	PROTOTYPE BY:	CHL
	PROTOTYPE DATE:	4/1/2008
	APPROVED FOR PRODUCTION BY:	PJG
	PRODUCTION DATE:	10/20/2008

<b>SALCO PRODUCTS, INC.</b>		
PART NAME: EYEBOLT ASSEMBLY 1"X5"		
MATERIAL: ASTM A449 TYPE 1, CARBON STEEL		
PROJECT #: WAG0546	SHEET #: 1 OF 1	SCALE: 1:1
DRAWING #: B25012	PART #: EB15XHAG5	

THIS PRINT, PROPERTY OF SALCO PRODUCTS INC., CONTAINS PROPRIETARY INFORMATION AND MUST NOT BE COPIED, REPRODUCED, OR USED DETRIMENTALLY TO OUR INTEREST.